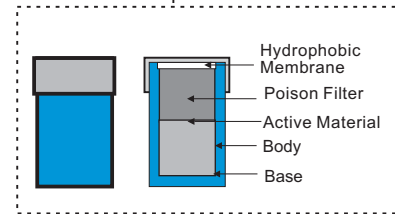


Deep Cycle Solar Gel Battery Sealed VRLA Solar Monobloc



SEC-CAT Catalyst*

SEC-CAT Life extending Catalyst equipped*

Designed for Full Life at 30 °C Operation
Capacities: 20Ah. to 300Ah. @ C/100

SPECIFICATIONS

Voltage	6 & 12 Volt nominal
Plates	Extra Heavy Duty
Plate alloy	Virgin Pure Lead /1.6% Tin
Terminal	Copper insert for SS bolts
Container /cover	ABS
Charge voltage	Cycle 2.35 Vpc; Float 2.25 to 2.30 Vpc @ 20°C
Specific gravity	1.280
Electrolyte	Sulphuric acid thixotropic gel
Vent	Self sealing - 2psi operation
Operating temp.	-25°C to +55°C

Note: it is always recommended that CELLYTE TSG batteries are operated in 20 to 30°C temperature range for full life and optimum performance

STANDARD FEATURES

- Valve Regulated Lead Acid monobloc battery
- Fully tank formed plates
- Gelled Thixotropic electrolyte
- Spill-proof / leak proof
- Multi-position usage
- Multi-cell container
- Low self-discharge
- Manufactured under ISO 9001 quality standards
- FAA and IATA Approved as NON Hazardous

APPLICATIONS

- Energy storage for Renewable energy systems (Solar PV/Wind, etc)
- Cycling/Float Service
- Wheelchair/Electric vehicle
- Boats/Marine/Navigational Aids
- Floor Cleaning machines
- Engine Starting
- Water Pumping/Golf caddy
- Portable medical equipment
- Cathodic Protection

CATALYST BENEFITS*

- Reduced float current by approx. 50%
- Reduced gassing by up to 80%
- Less water loss
- Lower chance of cell failure due to dry out
- Extended battery float service life due to reduced plate corrosion
- Full design life at operating temperatures up to 30°C average
- Helps to maintain full battery capacity by preventing depolarization of negative plate
- Reduces the possibility of thermal runaway



Supplied Worldwide by:

SEC Industrial Battery Co.

www.secbattery.com



CELLYTE Solar 6-12TSG Batteries

In keeping with our philosophy to stay at the forefront of the ever expanding market for batteries used in renewable energy applications, SEC Industrial Battery Co is proud to offer the CELLYTE 6-12TSG - a catalyst equipped 12 Volt Monobloc Gel battery, designed specifically with this application in mind.

KEY FEATURES

High Tin/Lead alloy positive plate

Extends plate performance and battery life by up to 40% compared to lower specification plate alloy combinations

Gelled electrolyte technology

The electrolyte is immobilized in a Thixotropic liquid reducing losses and preventing the potential of spillages

SEC-CAT Life Extending Catalysts

CELLYTE 6-12TSG batteries incorporate Philadelphia Scientific Monobloc precious metal catalysts, which prevent negative plate depolarization, reduce cell float current by up to 50% and reduce cell gassing by approx. 80%. All of these benefits ultimately help to reduce the cell dry out rate, which is the major cause of VRLA battery failure

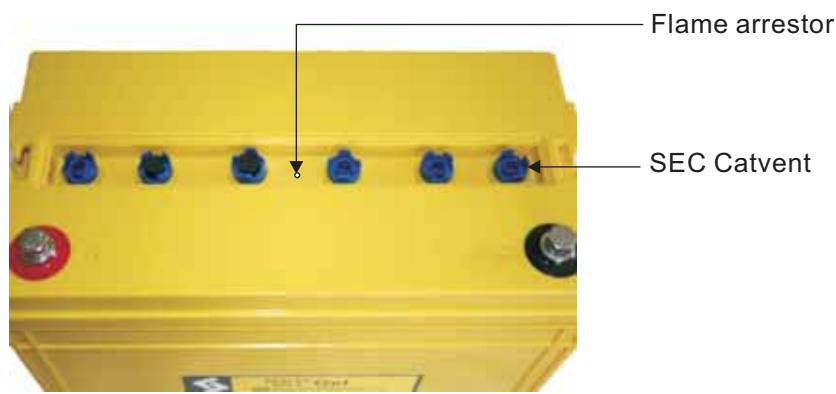


Plate Design and Paste Formulation

The plate and paste formulation has been designed to maximise the operating life of the battery and cyclic capacity. SEC's special paste formulation provides excellent recovery from deep discharge, with the added benefit of low self discharge to ensure maximum storage time

Gas Recombination System

99% of the gasses generated in the normal charge-discharge cycle of CELLYTE 6-12TSG batteries are internally recombined

Maintenance Free

CELLYTE 6-12TSG batteries are designed to be completely maintenance free during their lifetime

Triple barrier terminal post seal

To prevent gassing/leakage throughout the life of the battery

Battery Life in Float/Standby Service

Approx. 10 -12 years when fitted with SEC-CAT Catalyst

Battery Life in Cycle Life

Up to 4000 cycles (when fitted with SEC-CAT Catalyst). Please note that cyclic battery life will depend a number of factors including operating temperature, depth and frequency of cycling, etc

Battery One-Way Safety Valve

Our German engineered one-way safety valve ensures safe operation of the battery by releasing gasses should there be excessive internal pressure (above 2-3 psi) build up at any time. This clever design does not allow the ingress of oxygen though, which reduces battery life

Temperature Range for Normal Operation

CELLYTE 6-12TSG batteries can operate in a temperature range of between -25°C to +55°C. However, for maximum life, it is always recommended to operate the battery between 15°C to 30°C (20°C without catalyst)

CELLYTE 6-12TSG - Solar - Ampere Hour Data @ 20°C

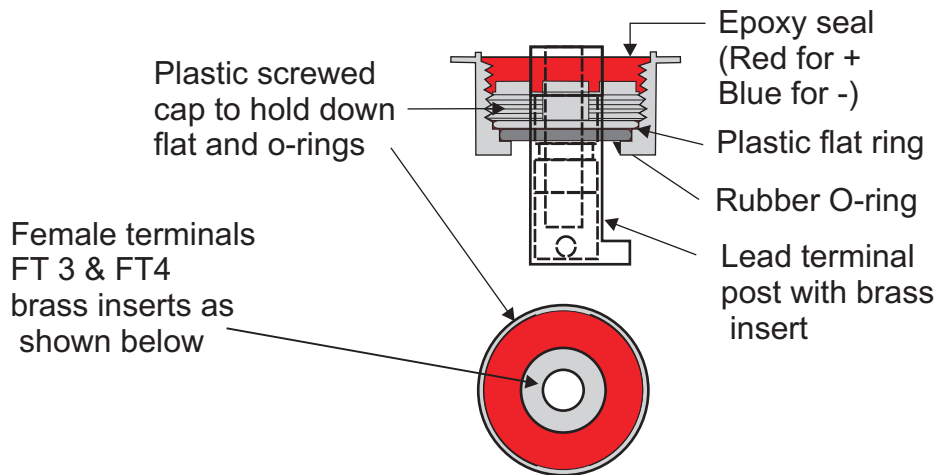
SEC 6-12TSG TYPE	END Volts / CELL	DISCHARGE DATA			END Volts / CELL	DISCHARGE DATA AMPERE HOURS @ 20°C															
		TIME IN MINUTES				DISCHARGE TIME IN HOURS															
		15	30	45		1	1.5	2	3	4	5	6	8	10	12	20	24	48	72	100	
6TSG 130*	1.80	159	102	76.2	1.85	63.0	64.6	72.5	78.5	82.5	85.4	88.4	96.8	98.3	100	109	113	118	122	126	
	1.75	173	106	78.5	1.80	64.5	68.5	76.9	83.3	87.5	90.7	93.8	103	105	107	117	118	122	126	130	
	1.67	182	108	78.9	1.75	65.0	70.2	78.8	85.3	89.6	92.9	96.1	105	108	110	120	122	125	129	133	
6TSG 220*	1.80	265	170	127	1.85	105	108	121	131	137	142	147	161	164	167	182	188	196	203	210	
	1.75	288	176	131	1.80	108	114	128	139	146	151	156	171	175	179	194	197	204	210	217	
	1.67	303	180	131	1.75	108	117	131	142	149	155	160	175	180	184	200	203	209	215	221	
6TSG 250	1.80	305	196	146	1.85	121	124	139	150	158	164	169	185	188	192	209	216	226	234	242	
	1.75	331	202	151	1.80	124	131	147	160	168	174	180	197	202	205	224	227	234	242	250	
	1.67	348	207	151	1.75	125	135	151	164	172	178	184	202	207	211	230	233	240	247	255	
12TSG 20**	1.80	22.6	14.5	10.8	1.85	8.9	9.1	10.3	11.1	11.7	12.1	12.5	13.7	13.9	14.2	15.6	16.0	16.7	17.3	17.9	
	1.75	24.5	15.0	11.1	1.80	9.1	9.7	10.9	11.8	12.4	12.8	13.3	14.5	14.9	15.2	16.5	16.8	17.3	17.9	18.4	
	1.67	25.7	15.3	11.2	1.75	9.2	9.9	11.2	12.1	12.7	13.2	13.6	14.9	15.3	15.6	17.0	17.3	17.7	18.3	18.8	
12TSG30**	1.80	34.5	22.1	16.5	1.85	13.6	14.0	15.7	17.0	17.9	18.5	19.2	21.0	21.3	21.7	23.9	24.4	25.5	26.4	27.3	
	1.75	37.4	22.9	17.0	1.80	14.0	14.8	16.7	18.0	19.0	19.6	20.3	22.2	22.8	23.2	25.3	25.6	26.5	27.3	28.2	
	1.67	39.3	23.4	17.1	1.75	14.1	15.2	17.1	18.5	19.4	20.1	20.8	22.8	23.4	23.9	26.0	26.4	27.1	28.0	28.8	
12TSG 40	1.80	41.2	26.4	19.7	1.85	16.3	16.7	18.7	20.3	21.3	22.1	22.8	25.0	25.4	25.9	28.5	29.1	30.4	31.5	32.6	
	1.75	44.7	27.3	20.3	1.80	16.7	17.7	19.9	21.5	22.6	23.4	24.2	26.5	27.2	27.7	30.1	30.6	31.6	32.6	33.6	
	1.67	46.9	27.9	20.4	1.75	16.8	18.1	20.4	22.0	23.2	24.0	24.8	27.2	27.9	28.5	31.0	31.5	32.4	33.3	34.3	
12TSG 50	1.80	55.8	35.7	26.7	1.85	22.0	22.6	25.4	27.5	28.9	29.9	31.0	33.9	34.4	35.1	38.2	39.4	41.2	42.7	44.2	
	1.75	60.5	37.0	27.5	1.80	22.6	24.0	26.9	29.1	30.6	31.7	32.8	35.9	36.8	37.5	40.8	41.4	42.8	44.2	45.6	
	1.67	63.6	37.8	27.6	1.75	22.7	24.6	27.6	29.9	31.4	32.5	33.6	36.8	37.8	38.6	42.0	42.6	43.8	45.2	46.5	
12TSG 60	1.80	73.0	46.8	34.9	1.85	28.9	29.6	33.2	36.0	37.8	39.2	40.5	44.4	45.0	45.9	50.1	51.6	54.0	55.9	57.8	
	1.75	79.2	48.4	36.0	1.80	29.6	31.4	35.3	38.2	40.1	41.5	43.0	47.0	48.2	49.1	53.5	54.2	56.0	57.8	59.7	
	1.67	83.2	49.5	36.1	1.75	29.8	32.2	36.1	39.1	41.1	42.6	44.1	48.2	49.5	50.5	55.0	55.8	57.4	59.2	60.9	
12TSG 70	1.80	86.3	55.3	41.3	1.85	34.1	35.0	39.3	42.5	44.7	46.3	47.9	52.4	53.2	54.3	59.2	61.0	63.8	66.1	68.4	
	1.75	94	57.2	42.5	1.80	35.0	37.1	41.7	45.1	47.4	49.1	50.8	55.6	57.0	58.1	63.2	64.1	66.2	68.3	70.5	
	1.67	98	58.5	42.7	1.75	35.2	38.0	42.7	46.2	48.6	50.3	52.1	57.0	58.5	59.7	65.0	66.0	67.9	69.9	72.0	
12TSG 80	1.80	92.9	59.5	44.4	1.85	36.7	37.7	42.3	45.8	48.1	49.8	51.6	56.5	57.3	58.5	63.7	65.7	68.7	71.2	73.6	
	1.75	101	61.6	45.8	1.80	37.6	40.0	44.9	48.6	51.0	52.9	54.7	59.8	61.4	62.5	68.0	69.0	71.3	73.6	75.9	
	1.67	106	63.0	46.0	1.75	37.9	41.0	46.0	49.8	52.3	54.2	56.1	61.4	63.0	64.3	70.0	71.1	73.1	75.3	77.5	
12TSG 90	1.80	106	68.0	50.8	1.85	42.0	43.1	48.4	52.3	55.0	57.0	59.0	64.5	65.5	66.8	72.8	75.1	78.5	81.3	84.1	
	1.75	115	70.4	52.4	1.80	43.0	45.7	51.3	55.5	58.3	60.4	62.5	68.4	70.1	71.5	77.8	78.8	81.4	84.1	86.8	
	1.67	121	71.9	52.6	1.75	43.3	46.8	52.6	56.9	59.8	61.9	64.1	70.1	72.0	73.4	80.0	81.2	83.5	86.0	88.6	
12TSG 100	1.80	119	76.5	57.1	1.85	47.2	48.4	54.4	58.9	61.9	64.1	66.3	72.6	73.7	75.2	81.9	84.5	88.3	92.1	96.0	
	1.75	130	79.2	58.9	1.80	48.4	51.4	57.7	62.5	65.6	68.0	70.4	76.9	78.9	80.4	87.5	88.7	91.6	95.6	99.6	
	1.67	136	80.9	59.1	1.75	48.7	52.7	59.1	64.0	67.2	69.7	72.1	78.9	81.0	82.6	90.0	91.4	94.0	97.5	101	
12TSG 110	1.80	133	85.0	63.5	1.85	52.5	53.8	60.4	65.4	68.7	71.2	73.7	80.6	81.9	83.5	91.0	93.9	98.1	102	105	
	1.75	144	88.0	65.5	1.80	53.8	57.1	64.1	69.4	72.9	75.5	78.2	85.5	87.7	89.3	97.2	98.6	102	105	108	
	1.67	151	89.9	65.7	1.75	54.1	58.5	65.7	71.1	74.7	77.4	80.1	87.7	90.0	91.8	100	102	104	108	111	
12TSG 120	1.80	146	93.5	69.8	1.85	57.7	59.2	66.5	72.0	75.6	78.3	81.1	88.7	90.1	91.9	100	103	108	112	116	
	1.75	158	96.8	72.0	1.80	59.2	62.8	70.5	76.3	80.2	83.1	86.0	94.0	96.4	98.3	107	108	112	116	119	
	1.67	166	98.9	72.3	1.75	59.6	64.4	72.3	78.2	82.2	85.1	88.1	96.4	99.0	101	110	112	115	118	122	
12TSG 130	1.80	159	102	76.2	1.85	63.0	64.6	72.5	78.5	82.5	85.4	88.4	96.8	98.3	109	109	113	118	122	126	
	1.75	173	106	78.5	1.80	64.5	68.5	76.9	83.3	87.5	90.7	93.8	103	105	117	117	118	122	126	130	
	1.67	182	108	78.9	1.75	65.0	70.2	78.8	85.3	89.6	92.9	96.1	105	108	120	120	122	125	129	133	
12TSG 150	1.80	181	116	86.3	1.85	71.4	73.2	82.2	89.0	93.5	96.8	100	110	111	114	124	128	133	138	143	
	1.75	196	120	89.0	1.80	73.1	77.7	87.2	94.4	99.2	103	106	116	119	121	132	134	138	143	148	
	1.67	206	122	89.4	1.75	73.6	79.6	89.4	96.7	102	105	109	119	122	125	136	138	142	146	151	
12TSG 170	1.80	202	129	97	1.85	79.8	81.8	91.9	99	104	108	112	123	124	127	138	143	149	155	160	
	1.75	219	134	99	1.80	81.7	86.8	97	105	111	115	119	130	133	136	148	150	155	160	166	
	1.67	230	137	100	1.75	82.3	88.9	100	108	114	118	122	133	137	140	152	154	159	163	168	
12TSG 190	1.80	227	145	109	1.85	89.7	92	103	112	118	122	126	138	140	143	156	161	168	174	180	
	1.75	246	150	112	1.80	92	98	110	119	125	129	134	146	150	153	166	169	174	180	186	
	1.67	259	154	112	1.75	93	100	112	122	128	132	137	150	154	157	171	174	179	184	190	
12TSG 210	1.80	252	162	121	1.85	99.7	102	115	124	131	135	140	153	156	159	173	178	186	193	200	
	1.75	274	167	124	1.80	102	108	122	132	139	144	149	162	167	170	185	187	193	200	206	
	1.67	288	171	125	1.75	103	111	125	135	142	147	152	167	171	174	190	193	198	205	211	
12TSG 250	1.80	305	196	146	1.85	121	124	139	150	158	164	169	185	188	192	209	216	226	234	242	
	1.75	331	202	151	1.80	124	131														

CELLYTE 6-12TSG Bloc Data & Dimensions

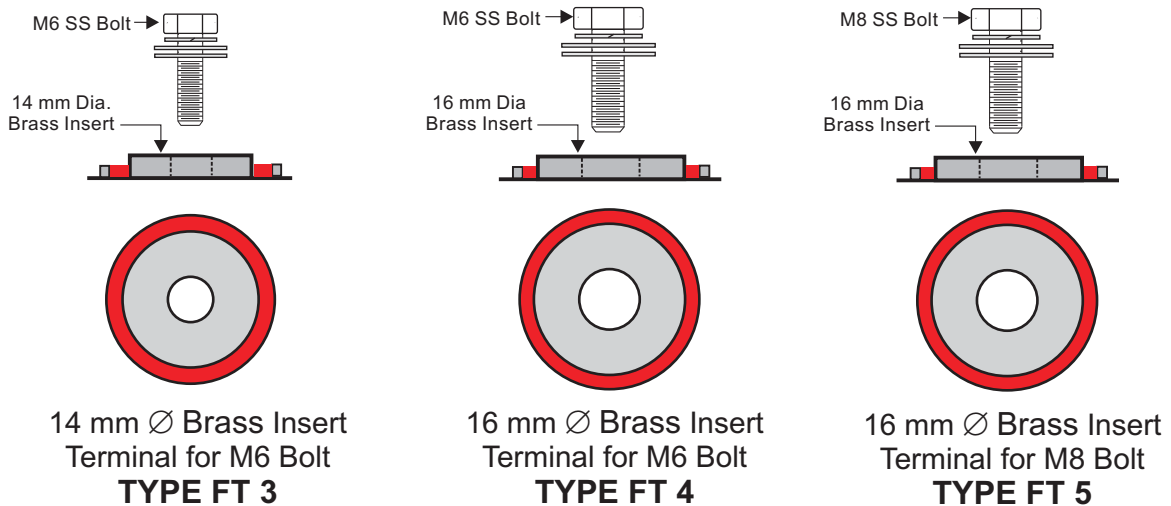
SEC Battery Type	Capacity C/100 1.80 vpc	Capacity C/20 1.75 vpc	Capacity C/5 1.75 vpc	CCA at -18°C (0°F)	CCA at 0°C (32°F)	Short Circuit Amps	Internal Resistance ΩOhms	Female Terminal Type	Battery Weight		Overall Length		Battery Width		Dimensions Height	
									KG	lbs	Inch	mm	Inch	mm	Inch	mm
									6TSG 130*	130	120	92.9	760	1010	3200	3.0
6TSG 220*	221	200	155	1150	1440	5000	2.3	FT 5	31.5	69.3	12.7	323	7.01	178	9.25	235
6TSG 250	255	230	178	1240	1650	5400	2.1	FT 5	33.0	72.6	9.57	243	7.40	188	10.8	275
12TSG 20**	18.8	17.0	13.2	110	165	750	12	FT 3	6.0	13.2	7.07	180	2.99	76	6.61	168
12TSG 30**	28.8	26.0	20.1	190	250	1100	8.2	FT 3	10.0	22.0	6.54	165	4.96	127	6.93	176
12TSG 40	34.3	31.0	24.0	240	320	1500	7.3	FT 3	11.0	24.2	7.72	196	5.16	131	6.34	161
12TSG 50	46.5	42.0	32.5	260	350	1700	6.0	FT 3	14.8	32.5	7.76	197	6.54	166	6.69	170
12 TSG 60	60.9	55.0	42.6	280	380	1900	5.6	FT 3	19.0	41.8	9.02	229	5.43	138	8.43	214
13 TSG 70	72.0	65.0	50.6	390	510	2000	5.5	FT3	21.3	46.9	13.8	350	6.61	168	7.05	179
12TSG 80	77.5	70.0	54.2	410	550	2100	5.4	FT 3	25.5	56.1	10.2	259	6.61	168	8.44	215
12TSG 90	88.6	80.0	61.9	460	620	2400	4.5	FT 3	26.5	58.3	10.2	259	6.61	168	8.46	215
12TSG 100	99.6	90.0	69.7	510	680	2650	4.3	FT 3	30.5	67.1	12.1	307	6.65	169	8.46	215
12TSG 110	111	100	77.4	580	780	2900	3.9	FT 4	32.5	71.5	13.0	330	6.69	170	8.46	215
12TSG 120	122	110	85.1	710	960	3000	3.4	FT 4	34.0	74.8	13.0	330	6.69	170	8.46	215
12TSG 130	133	120	92.9	760	1020	3300	3.1	FT 4	34.0	74.8	13.3	339	6.73	171	9.06	230
12TSG 150	151	136	105	970	1300	4200	2.9	FT 4	42.5	93.5	13.5	342	6.81	173	11.2	285
12TSG 170	168	152	118	1060	1390	4500	2.7	FT 5	48.5	107	19.0	483	6.69	170	9.49	241
12TSG 190	190	171	132	1100	1410	4600	2.5	FT 5	57.0	125	20.9	530	8.23	209	8.86	225
12TSG 210	211	190	147	1150	1440	4700	2.3	FT 5	60.0	132	20.9	530	8.23	209	8.86	225
12TSG 250	255	230	178	1240	1670	5400	2.2	FT 5	66.0	145	20.6	522	9.45	240	8.86	225
12TSG 300	294	265	205	1240	1670	5400	2.2	FT 5	80.5	177	20.6	522	10.55	268	8.66	220

* Gel size not yet available ** Batteries too small for Catalyst

TRIPLE SEAL DETAIL



FEMALE TERMINAL DETAIL



CELLYTE Bloc 6-12TSG - Solar - Amps Data @ 20°C

SEC 6-12TSG TYPE	END Volts / CELL	DISCHARGE DATA			END Volts / CELL	DISCHARGE DATA AMPS @ 20°C														
		TIME IN MINUTES				DISCHARGE TIME IN HOURS														
		15	30	45		1	1.5	2	3	4	5	6	8	10	12	20	24	48	72	100
6TSG 130*	1.80	159	102	76.2	1.85	63.0	43.1	36.3	26.2	20.6	17.1	14.7	12.1	9.83	8.35	5.46	4.69	2.45	1.69	1.26
	1.75	173	106	78.5	1.80	64.5	45.7	38.5	27.8	21.9	18.1	15.6	12.8	10.5	8.93	5.83	4.93	2.54	1.75	1.30
	1.67	182	108	78.9	1.75	65.0	46.8	39.4	28.4	22.4	18.6	16.0	13.1	10.8	9.18	6.00	5.08	2.61	1.79	1.33
6TSG 220*	1.80	265	170	127	1.85	105	71.8	60.4	43.6	34.4	28.5	24.6	20.2	16.4	13.9	9.10	7.82	4.09	2.82	2.10
	1.75	288	176	131	1.80	108	76.1	64.1	46.3	36.5	30.2	26.1	21.4	17.5	14.9	9.72	8.21	4.24	2.92	2.17
	1.67	303	180	131	1.75	108	78.0	65.7	47.4	37.4	31.0	26.7	21.9	18.0	15.3	10.0	8.46	4.35	2.99	2.21
6TSG 250	1.80	305	196	146	1.85	121	82.5	69.5	50.1	39.5	32.8	28.2	23.2	18.8	16.0	10.5	9.00	4.70	3.25	2.42
	1.75	331	202	151	1.80	124	87.5	73.7	53.2	41.9	34.7	30.0	24.6	20.2	17.1	11.2	9.44	4.88	3.36	2.50
	1.67	348	207	151	1.75	125	89.7	75.6	54.5	43.0	35.6	30.7	25.2	20.7	17.6	11.5	9.73	5.00	3.44	2.55
12TSG 20**	1.80	22.6	14.5	10.8	1.85	8.9	6.1	5.14	3.71	2.92	2.42	2.09	1.71	1.39	1.18	0.78	0.67	0.35	0.24	0.18
	1.75	24.5	15.0	11.1	1.80	9.1	6.5	5.5	3.93	3.10	2.57	2.22	1.82	1.49	1.27	0.83	0.70	0.36	0.25	0.18
	1.67	25.7	15.3	11.2	1.75	9.2	6.6	5.6	4.03	3.17	2.63	2.27	1.86	1.53	1.30	0.85	0.72	0.37	0.25	0.19
12TSG30**	1.80	34.5	22.1	16.5	1.85	13.6	9.33	7.86	5.67	4.47	3.70	3.19	2.62	2.13	1.81	1.20	1.02	0.53	0.37	0.27
	1.75	37.4	22.9	17.0	1.80	14.0	9.90	8.34	6.01	4.74	3.93	3.39	2.78	2.28	1.94	1.26	1.07	0.55	0.38	0.28
	1.67	39.3	23.4	17.1	1.75	14.1	10.1	8.54	6.16	4.86	4.02	3.47	2.85	2.34	1.99	1.30	1.10	0.57	0.39	0.29
12TSG 40	1.80	41.2	26.4	19.7	1.85	16.3	11.1	9.37	6.76	5.33	4.41	3.81	3.13	2.54	2.16	1.43	1.21	0.63	0.44	0.33
	1.75	44.7	27.3	20.3	1.80	16.7	11.8	9.9	7.17	5.65	4.68	4.04	3.31	2.72	2.31	1.51	1.27	0.66	0.45	0.34
	1.67	46.9	27.9	20.4	1.75	16.8	12.1	10.2	7.35	5.79	4.80	4.14	3.40	2.79	2.37	1.55	1.31	0.67	0.46	0.34
12TSG 50	1.80	55.8	35.7	26.7	1.85	22.0	15.1	12.7	9.16	7.22	5.98	5.16	4.23	3.44	2.92	1.91	1.64	0.86	0.59	0.44
	1.75	60.5	37.0	27.5	1.80	22.6	16.0	13.5	9.72	7.66	6.35	5.47	4.49	3.68	3.13	2.04	1.72	0.89	0.61	0.46
	1.67	63.6	37.8	27.6	1.75	22.7	16.4	13.8	9.95	7.84	6.50	5.61	4.60	3.78	3.21	2.10	1.78	0.91	0.63	0.46
12TSG 60	1.80	73.0	46.8	34.9	1.85	28.9	19.7	16.6	12.0	9.45	7.83	6.76	5.54	4.50	3.83	2.50	2.15	1.12	0.78	0.58
	1.75	79.2	48.4	36.0	1.80	29.6	20.9	17.6	12.7	10.0	8.31	7.17	5.88	4.82	4.09	2.67	2.26	1.17	0.80	0.60
	1.67	83.2	49.5	36.1	1.75	29.8	21.5	18.1	13.0	10.3	8.51	7.34	6.03	4.95	4.21	2.75	2.33	1.20	0.82	0.61
12TSG 70	1.80	86.3	55.3	41.3	1.85	34.1	23.3	19.6	14.2	11.2	9.3	7.98	6.55	5.32	4.52	2.96	2.54	1.33	0.92	0.68
	1.75	94	57.2	42.5	1.80	35.0	24.7	20.8	15.0	11.8	9.8	8.47	6.94	5.70	4.84	3.16	2.67	1.38	0.95	0.71
	1.67	98	58.5	42.7	1.75	35.2	25.4	21.4	15.4	12.1	10.1	8.68	7.12	5.85	4.97	3.25	2.75	1.41	0.97	0.72
12TSG 80	1.80	92.9	59.5	44.4	1.85	36.7	25.1	21.2	15.3	12.0	10.0	8.60	7.06	5.73	4.87	3.19	2.74	1.43	0.99	0.74
	1.75	101	61.6	45.8	1.80	37.6	26.6	22.4	16.2	12.8	10.6	9.12	7.48	6.14	5.21	3.40	2.87	1.48	1.02	0.76
	1.67	106	63.0	46.0	1.75	37.9	27.3	23.0	16.6	13.1	10.8	9.35	7.67	6.30	5.36	3.50	2.96	1.52	1.05	0.77
12TSG 90	1.80	106	68.0	50.8	1.85	42.0	28.7	24.2	17.4	13.7	11.4	9.8	8.06	6.55	5.57	3.64	3.13	1.64	1.13	0.84
	1.75	115	70.4	52.4	1.80	43.0	30.5	25.6	18.5	14.6	12.1	10.4	8.55	7.01	5.95	3.89	3.29	1.70	1.17	0.87
	1.67	121	71.9	52.6	1.75	43.3	31.2	26.3	19.0	14.9	12.4	10.7	8.77	7.20	6.12	4.00	3.38	1.74	1.20	0.89
12TSG 100	1.80	119	76.5	57.1	1.85	47.2	32.3	27.2	19.6	15.5	12.8	11.1	9.07	7.37	6.27	4.10	3.52	1.84	1.28	0.96
	1.75	130	79.2	58.9	1.80	48.4	34.3	28.9	20.8	16.4	13.6	11.7	9.62	7.89	6.70	4.37	3.70	1.91	1.33	1.00
	1.67	136	80.9	59.1	1.75	48.7	35.1	29.6	21.3	16.8	13.9	12.0	9.86	8.10	6.89	4.50	3.81	1.96	1.35	1.01
12TSG 110	1.80	133	85.0	63.5	1.85	52.5	35.9	30.2	21.8	17.2	14.2	12.3	10.1	8.19	6.96	4.55	3.91	2.04	1.41	1.05
	1.75	144	88.0	65.5	1.80	53.8	38.1	32.1	23.1	18.2	15.1	13.0	10.7	8.77	7.44	4.86	4.11	2.12	1.46	1.08
	1.67	151	89.9	65.7	1.75	54.1	39.0	32.9	23.7	18.7	15.5	13.4	11.0	9.00	7.65	5.00	4.23	2.18	1.49	1.11
12TSG 120	1.80	146	93.5	69.8	1.85	57.7	39.5	33.2	24.0	18.9	15.7	13.5	11.1	9.01	7.66	5.01	4.30	2.25	1.55	1.16
	1.75	158	96.8	72.0	1.80	59.2	41.9	35.3	25.4	20.0	16.6	14.3	11.8	9.64	8.19	5.35	4.52	2.33	1.61	1.19
	1.67	166	98.9	72.3	1.75	59.6	42.9	36.1	26.1	20.5	17.0	14.7	12.1	9.90	8.42	5.50	4.65	2.39	1.64	1.22
12TSG 130	1.80	159	102	76.2	1.85	63.0	43.1	36.3	26.2	20.6	17.1	14.7	12.1	9.83	8.35	5.46	4.69	2.45	1.69	1.26
	1.75	173	106	78.5	1.80	64.5	45.7	38.5	27.8	21.9	18.1	15.6	12.8	10.5	8.93	5.83	4.93	2.54	1.75	1.30
	1.67	182	108	78.9	1.75	65.0	46.8	39.4	28.4	22.4	18.6	16.0	13.1	10.8	9.18	6.00	5.08	2.61	1.79	1.33
12TSG 150	1.80	181	116	86.3	1.85	71.4	48.8	41.1	29.7	23.4	19.4	16.7	13.7	11.1	9.47	6.19	5.32	2.78	1.92	1.43
	1.75	196	120	89.0	1.80	73.1	51.8	43.6	31.5	24.8	20.5	17.7	14.5	11.9	10.1	6.61	5.58	2.88	1.99	1.48
	1.67	206	122	89.4	1.75	73.6	53.0	44.7	32.2	25.4	21.1	18.2	14.9	12.2	10.4	6.80	5.75	2.96	2.03	1.51
12TSG 170	1.80	202	129	96.5	1.85	79.8	54.5	45.9	33.1	26.1	21.6	18.7	15.3	12.4	10.6	6.92	5.95	3.11	2.15	1.60
	1.75	219	134	99.5	1.80	81.7	57.9	48.7	35.2	27.7	23.0	19.8	16.2	13.3	11.3	7.39	6.24	3.22	2.22	1.66
	1.67	230	137	100	1.75	82.3	59.3	49.9	36.0	28.4	23.5	20.3	16.7	13.7	11.6	7.60	6.43	3.31	2.27	1.68
12TSG 190	1.80	227	145	109	1.85	89.7	61.4	51.7	37.3	29.4	24.4	21.0	17.2	14.0	11.9	7.78	6.69	3.50	2.42	1.80
	1.75	246	150	112	1.80	92.0	65.1	54.8	39.6	31.2	25.8	22.3	18.3	15.0	12.7	8.31	7.02	3.63	2.50	1.86
	1.67	259	154	112	1.75	92.6	66.7	56.2	40.5	31.9	26.5	22.8	18.7	15.4	13.1	8.55	7.23	3.72	2.56	1.90
12TSG 210	1.80	252	162	121	1.85	99.7	68.2	57.4	41.4	32.6	27.1	23.3	19.2	15.6	13.2	8.65	7.43	3.88	2.68	2.00
	1.75	274	167	124	1.80	102	72.3	60.9	43.9	34.6	28.7	24.8	20.3	16.7	14.1	9.23	7.80	4.03	2.78	2.06
	1.67	288	171	125	1.75	103	74.1	62.4	45.0	35.5	29.4	25.4	20.8	17.1	14.5	9.50	8.04	4.13	2.84	

CELLYTE 6-12TSG Watts per Cell @ 20°C

SEC 6-12TSG TYPE	END Volts / CELL	Watts per cell			END Volts / CELL	DISCHARGE DATA Watts Per Cell AT 20°C											
		TIME IN MINUTES				DISCHARGE TIME IN HOURS											
		15	30	45		1	1.5	2	3	4	5	6	8	10	12	20	24
6TSG 130*	1.80	303	194	146	1.85	121	82.8	69.6	51.0	40.5	33.7	29.1	24.0	19.6	16.7	10.9	9.4
	1.75	328	201	151	1.80	124	87.2	73.9	53.8	42.7	35.5	30.9	25.3	20.7	17.8	11.6	9.9
	1.67	345	205	151	1.75	125	88.9	75.7	54.9	43.5	36.2	31.7	25.8	21.2	18.1	11.9	10.0
6TSG 220*	1.80	504	323	244	1.85	201	138	116	85.0	67.4	56.1	48.5	40.1	32.7	27.8	18.2	15.7
	1.75	547	334	251	1.80	207	145	123	89.6	71.1	59.2	51.5	42.2	34.5	29.6	19.4	16.4
	1.67	575	342	252	1.75	208	148	126	91.5	72.5	60.4	52.8	43.0	35.3	30.1	19.8	16.7
6TSG 250	1.80	580	371	280	1.85	232	159	133	97.7	77.5	64.5	55.8	46.1	37.6	32.0	21.0	18.1
	1.75	629	384	289	1.80	238	167	142	103	81.7	68.1	59.2	48.6	39.7	34.1	22.3	18.9
	1.67	661	393	290	1.75	239	170	145	105	83.3	69.4	60.7	49.4	40.6	34.7	22.7	19.3
12TSG 20**	1.80	42.9	27.5	20.7	1.85	17.1	21.0	9.86	7.22	5.73	4.77	4.13	3.41	2.78	2.37	1.57	1.33
	1.75	46.5	28.4	21.4	1.80	17.6	12.4	10.5	7.62	6.04	5.03	4.38	3.59	2.94	2.52	1.65	1.40
	1.67	48.9	29.0	21.4	1.75	17.7	12.6	10.7	7.78	6.16	5.13	4.48	3.65	3.00	2.56	1.68	1.42
12TSG30**	1.80	65.6	42.0	31.7	1.85	26.2	21.0	15.1	11.0	8.76	7.29	6.31	5.21	4.25	3.62	2.40	2.04
	1.75	71.2	43.5	32.7	1.80	26.8	18.9	16.0	11.6	9.24	7.70	6.69	5.49	4.49	3.85	2.52	2.14
	1.67	74.8	44.4	32.8	1.75	27.0	19.3	16.4	11.9	9.42	7.85	6.86	5.58	4.59	3.92	2.57	2.18
12TSG 40	1.80	78.2	50.1	37.8	1.85	31.2	21.0	18.0	13.2	10.4	8.70	7.52	6.21	5.06	4.31	2.86	2.43
	1.75	84.8	51.8	39.0	1.80	32.0	22.5	19.1	13.9	11.0	9.18	7.98	6.55	5.35	4.59	3.00	2.55
	1.67	89.1	53.0	39.1	1.75	32.2	23.0	19.6	14.2	11.2	9.36	8.18	6.66	5.47	4.67	3.07	2.60
12TSG 50	1.80	106	67.8	51.2	1.85	42.3	29.0	24.4	17.8	14.2	11.8	10.19	8.41	6.86	5.84	3.83	3.30
	1.75	115	70.2	52.8	1.80	43.4	30.5	25.9	18.8	14.9	12.4	10.8	8.87	7.25	6.22	4.07	3.45
	1.67	121	71.8	53.0	1.75	43.7	31.1	26.5	19.2	15.2	12.7	11.1	9.02	7.41	6.33	4.15	3.52
12TSG 60	1.80	139	88.8	67.0	1.85	55.4	38.0	31.9	23.4	18.5	15.4	13.3	11.0	8.98	7.65	5.02	4.32
	1.75	151	91.9	69.1	1.80	56.8	40.0	33.9	24.6	19.5	16.3	14.2	11.6	9.50	8.14	5.33	4.52
	1.67	158	94.0	69.4	1.75	57.2	40.8	34.7	25.2	19.9	16.6	14.5	11.8	9.70	8.29	5.44	4.61
12TSG 70	1.80	164	105	79.2	1.85	65.5	44.9	37.7	27.6	21.9	18.2	15.8	13.0	10.6	9.05	5.93	5.10
	1.75	178	109	81.7	1.80	67.1	47.2	40.0	29.1	23.1	19.2	16.7	13.7	11.2	9.6	6.30	5.34
	1.67	187	111	82.0	1.75	67.6	48.2	41.0	29.7	23.5	19.6	17.1	14.0	11.5	9.8	6.43	5.44
12TSG 80	1.80	177	113	85.3	1.85	70.5	48.3	40.6	29.7	23.6	19.6	17.0	14.0	11.4	9.74	6.38	5.50
	1.75	192	117	88.0	1.80	72.3	50.9	43.1	31.4	24.9	20.7	18.0	14.8	12.1	10.4	6.78	5.75
	1.67	201	120	88.3	1.75	72.8	51.9	44.2	32.0	25.4	21.1	18.5	15.0	12.3	10.5	6.92	5.86
12TSG 90	1.80	202	129	97.5	1.85	80.6	55.2	46.4	34.0	27.0	22.4	19.4	16.0	13.1	11.1	7.29	6.28
	1.75	219	134	100.5	1.80	82.6	58.1	49.2	35.8	28.4	23.7	20.6	16.9	13.8	11.8	7.75	6.57
	1.67	230	137	100.9	1.75	83.2	59.3	50.5	36.6	29.0	24.1	21.1	17.2	14.1	12.1	7.91	6.70
12TSG 100	1.80	227	145	110	1.85	90.7	62.1	52.2	38.2	30.3	25.3	21.8	18.0	14.7	12.5	8.21	7.07
	1.75	246	150	113	1.80	92.9	65.4	55.4	40.3	32.0	26.6	23.2	19.0	15.5	13.3	8.72	7.39
	1.67	259	154	114	1.75	93.6	66.7	56.8	41.2	32.6	27.2	23.7	19.3	15.9	13.6	8.90	7.54
12TSG 110	1.80	252	162	122	1.85	101	69.0	58.0	42.5	33.7	28.1	24.3	20.0	16.3	13.9	9.12	7.85
	1.75	274	167	126	1.80	103	72.7	61.6	44.8	35.5	29.6	25.7	21.1	17.3	14.8	9.69	8.21
	1.67	288	171	126	1.75	104	74.1	63.1	45.7	36.2	30.2	26.4	21.5	17.6	15.1	9.89	8.37
12TSG 120	1.80	277	178	134	1.85	111	75.9	63.8	46.7	37.1	30.9	26.7	22.0	18.0	15.3	10.0	8.64
	1.75	301	184	138	1.80	114	79.9	67.7	49.3	39.1	32.6	28.3	23.2	19.0	16.3	10.7	9.03
	1.67	316	188	139	1.75	114	81.5	69.4	50.3	39.9	33.2	29.0	23.6	19.4	16.6	10.9	9.21
12TSG 130	1.80	303	194	146	1.85	121	82.8	69.6	51.0	40.5	33.7	29.1	24.0	19.6	18.2	10.9	9.42
	1.75	328	201	151	1.80	124	87.2	73.9	53.8	42.7	35.5	30.9	25.3	20.7	19.4	11.6	9.86
	1.67	345	205	151	1.75	125	88.9	75.7	54.9	43.5	36.2	31.7	25.8	21.2	19.7	11.9	10.0
12TSG 150	1.80	343	220	166	1.85	137	93.9	78.9	57.8	45.8	38.2	33.0	27.2	22.2	18.9	12.4	10.7
	1.75	372	227	171	1.80	140	98.8	83.7	60.9	48.3	40.3	35.0	28.7	23.5	20.1	13.2	11.2
	1.67	391	232	172	1.75	141	101	85.8	62.2	49.3	41.1	35.9	29.2	24.0	20.5	13.5	11.4
12TSG 170	1.80	383	245	185	1.85	153	105	88.2	64.6	51.2	42.6	36.9	30.4	24.8	21.2	13.9	11.9
	1.75	416	254	191	1.80	157	110	93.6	68.1	54.0	45.0	39.1	32.1	26.2	22.5	14.7	12.5
	1.67	437	260	192	1.75	158	113	95.9	69.5	55.1	45.9	40.1	32.6	26.8	22.9	15.0	12.7
12TSG 190	1.80	431	276	208	1.85	172	118	99.2	72.7	57.6	48.0	41.5	34.3	27.9	23.8	15.6	13.4
	1.75	468	286	215	1.80	177	124	105	76.6	60.8	50.6	44.0	36.1	29.5	25.3	16.6	14.0
	1.67	492	292	216	1.75	178	127	108	78.2	62.0	51.6	45.1	36.7	30.2	25.8	16.9	14.3
12TSG 210	1.80	479	307	232	1.85	191	131	110	80.7	64.0	53.3	46.1	38.1	31.0	26.4	17.3	14.9
	1.75	520	318	239	1.80	196	138	117	85.1	67.5	56.2	48.9	40.1	32.8	28.1	18.4	15.6
	1.67	546	325	240	1.75	198	141	120	86.9	68.8	57.4	50.1	40.8	33.5	28.6	18.8	15.9
12TSG 250	1.80	580	371	280	1.85	232	159	133	97.7	77.5	64.5	55.8	46.1	37.6	32.0	21.0	18.1
	1.75	629	384	289	1.80	238	167	142	103	81.7	68.1	59.2	48.6	39.7	34.1	22.3	18.9
	1.67	661	393	290	1.75	239	170	145	105	83.3	69.4	60.7	49.4	40.6	34.7	22.7	19.3
12TSG 300	1.80	676	433	327	1.85	270	185	156	113.9	90.3	75.2	65.0	53.7	43.8	37.3	24.4	21.0
	1.75	733	448	337	1.80	277	195	165	120	95.3	79.3	69.0	56.6	46.3	39.7	26.0	22.0
	1.67	771	458	338	1.75	279	199	169	123	97.1	80.9	70.7	57.6	47.3	40.4	26.5	22.4

Actual Battery Discharge Data may be +/-5% of figures shown.

* Gel sizes not yet available

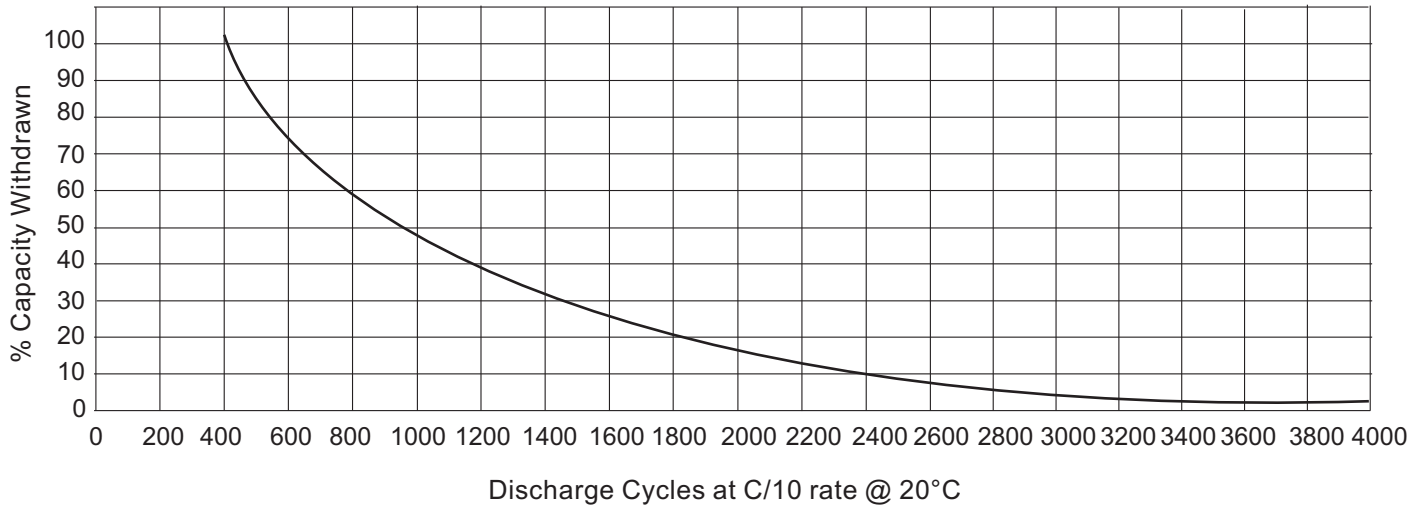
** Batteries too small for Catalyst

CELLYTE Solar 6-12TSG Batteries - Cycling Ability

CELLYTE 6-12TSG batteries are designed for excellent cycling ability and are capable of up to 4000 charge-discharge cycles, depending on the depth of discharge.

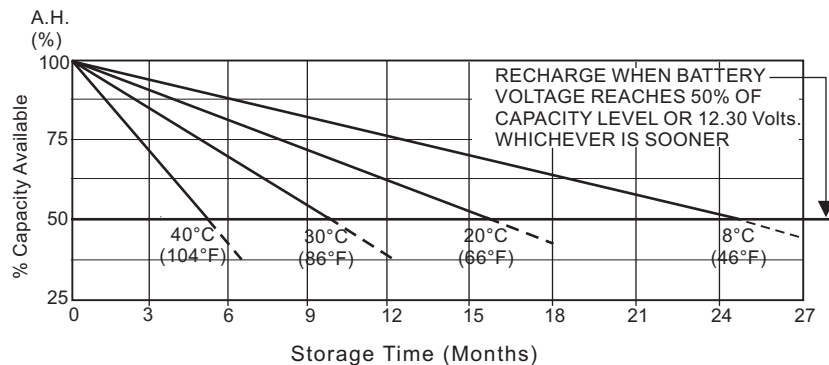
Cycling Ability

Number of cycles Vs. depth of discharge at 20°C (when fitted with SEC-CAT catalyst)

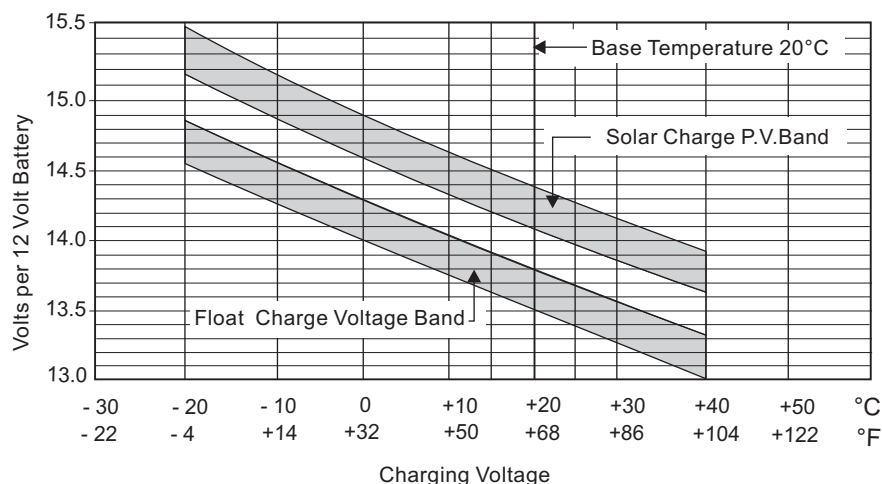


Capacity Withdrawn	No. of Cycles	Capacity Withdrawn	No. of Cycles	Capacity Withdrawn	No. of Cycles	Capacity Withdrawn	No. of Cycles	Capacity Withdrawn	No. of Cycles
100%	400	50%	950	30%	1450	10%	2400	0-2%	4000
80%	550	40%	1200	20%	1800	5%	3000		

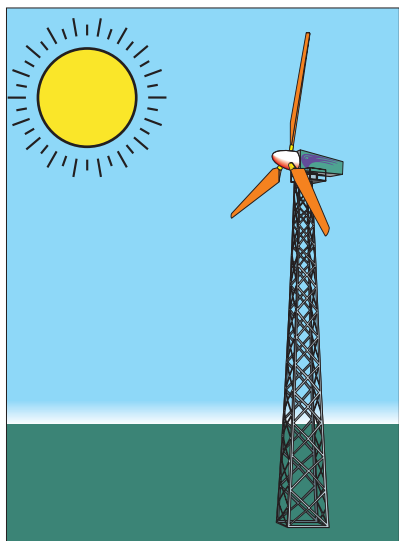
Self discharge Characteristics



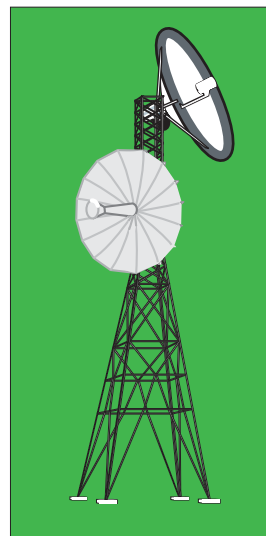
Constant Charging Voltage



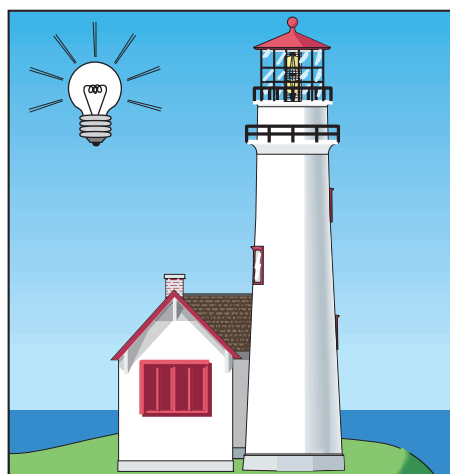
Typical Solar Gel Battery Applications



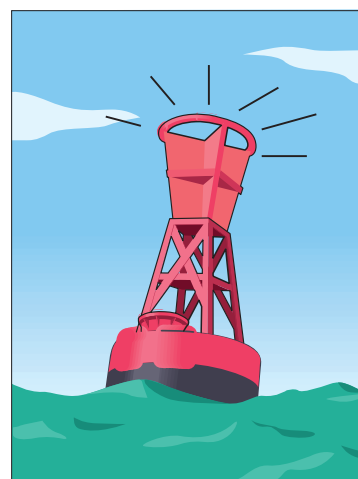
SOLAR FOR RENEWABLE ENERGY AND WIND GENERATION



SOLAR FOR REMOTE AREA TELECOMMUNICATIONS



SOLAR FOR ISOLATED LIGHT HOUSES



SOLAR FOR OCEAN LIFE BUOYS

**ADVANCED EUROPEAN ENGINEERED TECHNOLOGY
MODERN COMPUTER-AIDED DESIGN AND MANUFACTURING TECHNIQUES
LIFE EXTENDING CATALYST EQUIPPED
DEEP CYCLING CAPABILITY
GELLED ELECTROLYTE**

Visit our website on www.secbattery.com

SEC Industrial Battery Company Ltd.
Thorney Weir House, Iver
Bucks SLO 9AQ, ENGLAND
Tel. 44 1895 431543
Fax. 441895 431880
brian.harper@secbattery.com

SEC Industrial Battery Co.Bsc
P.O.Box 32225
Kingdom of Bahrain
Tel: 97317 721322
Fax: 97317 740743
sujo.pulikottil@secbattery.com

SEC Industrial Battery Co.Ltd.
Unit 6, 6/f, Hewlett Centre
No. 54 Hoi Yuen Road, Kwun Tong
Kowloon, Hong Kong
Tel: 852 230 44382
Fax: 852 230 44013
duncan.low@secbattery.com.hk